

A97S

WC FLEXI CONNECTOR

Application:

- To connect the WC pan to the waste pipe

Features:

- Connection diameter 80/110×100/120 mm
- Adjustable length of 200 – 520 mm
- Material: polypropylene

Scope of supply:

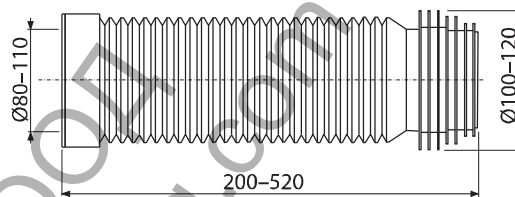
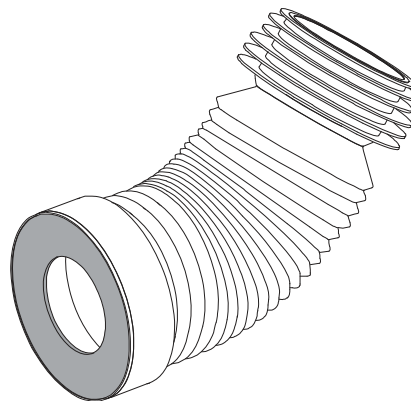
- Flexi pipe with seal

Logistic information:

Weight (piece)	0.3546 kg
Dimensions (piece)	200×120×120 mm
Quantity (packing)	20 pcs
Quantity (pallet)	320 pcs

Order number:

Code	EAN
A97S	8594045939248



Ташев-Галвинг ООЗ
www.tashev-galving.com